



Protection - Control - Identification - Tracking - Rfid solutions

[www.leghorngroup.in](http://www.leghorngroup.in)



# General presentation

**Neptune seal: Container bolt lock seal  
ISO 17712:2013**

**Made by LeghornGroup**



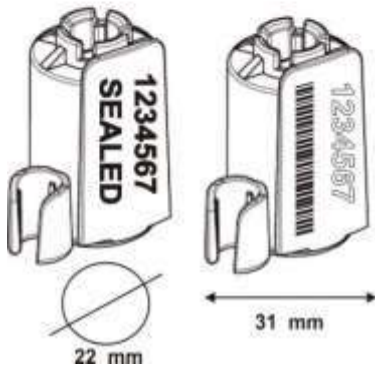
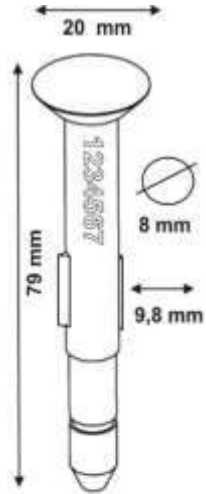
## Neptune seal: ISO 17712:2013 Container bolt lock seal

### SPECIFICATIONS:

NEPTUNESEAL is a bolt seal, compliant with high security international standard ISO 17712:2013 and specifically with the requirement of having the internal metal part exceeding 18 mm. The patent pending innovative mechanical design is characterized by two metal tabs attached to the bolt, which securely slot into the locking channel, thus preventing any breaching by high speed spinning of the female part of the seal. Any tampering attempt will give evidence of irreparable damage onto the bolt lock seal.

**Any Tampering attempt will damage the seal leaving it irreparable.**





### PRINTING AND NUMBERING:

LASER printing. Sequential numbering up to 15 digits. Barcode option  
Data Matrix option. RFID option. Customisation up to 20 characters on one  
line. Customer logo on request. For substantial orders it's possible to  
recreate . Company logo in relief

### MATERIAL:

Plastic parts: Polystyrene with pigment paint compliant with safety  
requirement of RoHS – *Restriction of Hazardous Substances*, European  
Directive 2002/EC.

### CERTIFICATES:

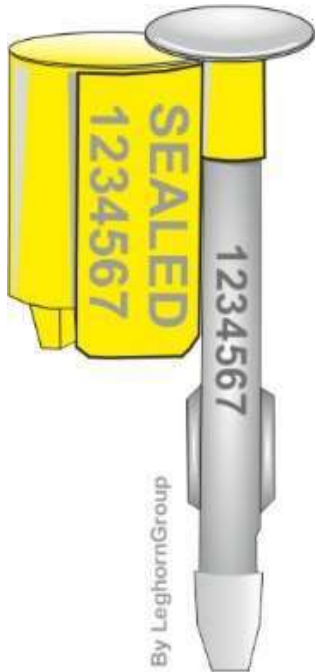
Compliant with ISO 17712:2013 HSS (high security seal)  
ISO/PAS 17025 LAB APPROVED

**PACKAGING:** 250 pcs per box. Box size : 39x19x16cm. Box weight: 13,3 kg

## Neptune seal: ISO 17712:2013 Colors and customizations examples



## Neptune seal: ISO 17712:2013. NEEDED CERTIFICATES (1/2)



Product certificate attesting its compliance to the specification of the standard ISO 17712:2013. (Dayton Brown)

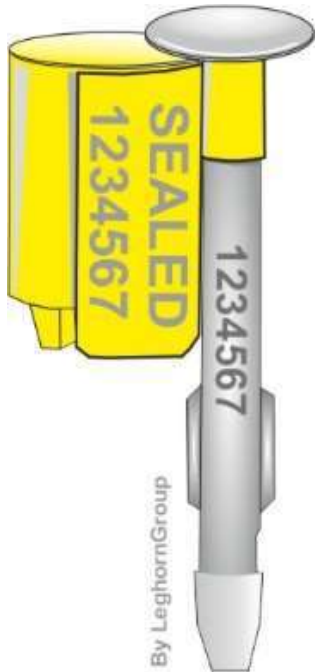
This certificate applies only to the product and is issued by ISO 17025 qualified laboratories.



Certificate of Conformance For Freight Container Mechanical Seal Testing ISO 17712:2013.



## Neptune seal: ISO 17712:2013. NEEDED CERTIFICATES (2/2)



Declaration of an International Certification Body (e.g. SGS) certifying that the seal manufacturer has adopted best practices that ensure the compliance of the seal itself to the conditions set in Clause 6 of the standard ISO 17712:2013.

Certification of the seal manufacturer's Quality System in compliance with UNI EN ISO 9001:2015.



**Please ask for ISO 17712:2013 Certifications catalog. Code 7401-A508**

# How to use





Protection - Control - Identification - Tracking - Rfid solutions

[www.leghorngroup.in](http://www.leghorngroup.in)

**FINDUS@**

[info@leghorngroup.com](mailto:info@leghorngroup.com)



LeghornGroup Pvt Ltd  
No 295/4,8th Cross,4th Phase,Peenya  
Industrial Area, Bangalore - 560058  
Contact no :  
+91 7019186193/9731711294/9538022871  
Email id : [info@leghorngroup.in](mailto:info@leghorngroup.in)  
Website : [www.leghorngroup.in](http://www.leghorngroup.in)

**LeghornGroup** – India  
[www.leghorngroup.in](http://www.leghorngroup.in)

**LeghornGroup** – Italy  
[www.leghorngroup.it](http://www.leghorngroup.it)

**LeghornGroup** – U.S.A.  
[www.leghorngroup.com](http://www.leghorngroup.com)

**LeghornGroup** – Belgium  
[www.leghorngroup.be](http://www.leghorngroup.be)  
[www.leghorngroup.nl](http://www.leghorngroup.nl)

**LeghornGroup** – Czech Republic  
[www.leghorngroup.cz](http://www.leghorngroup.cz)  
[www.leghorngroup.pl](http://www.leghorngroup.pl)

**LeghornGroup** – Greece  
[www.leghorngroup.gr](http://www.leghorngroup.gr)

**LeghornGroup** – Republic of  
Moldova  
[www.leghorngroup.ro](http://www.leghorngroup.ro)

**LeghornGroup** – España  
[www.leghorngroup.es](http://www.leghorngroup.es)